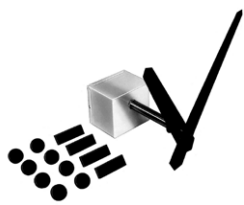
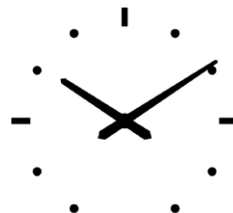


NATIONAL TIME offers Style 040 Open-Faced clocks to create a complete clock system product line. The 040 series movements will complement today's architectural treatments and are ideal for offices, lobbies, or even outdoor decoration. The movements are mounted flush with the wall surface, and the markers or numerals are mounted to the wall. The markers have a minimum thickness of 1/4" and include projecting spurs for mounting into small holes with mastic. Consult factory for custom marker styles and mounting.

The 040 series is offered as a 120VAC non-corrective clock, a 120/24VAC corrective system clock, or a 24VAC (2-wire or 3-wire) Rotary Drive system clock. Large movements have a 10 times speed correction or can be corrected automatically with a clock controller. (See outdoor clock catalog) Standard finishes available for the hands and markers are white, black, and powder gray. Other finishes including anodizing are supplied on special order.



Type 040 - Style A Markers



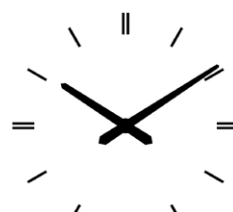
Type 040 - Style B Markers



Type 040 - Style C Markers



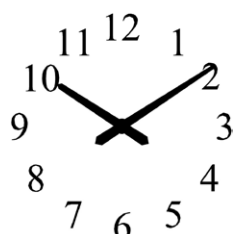
Type 040 - Style D Markers



Type 040 - Style E Markers



Type 040 - Style G Markers



Type 040 - Style AR Markers

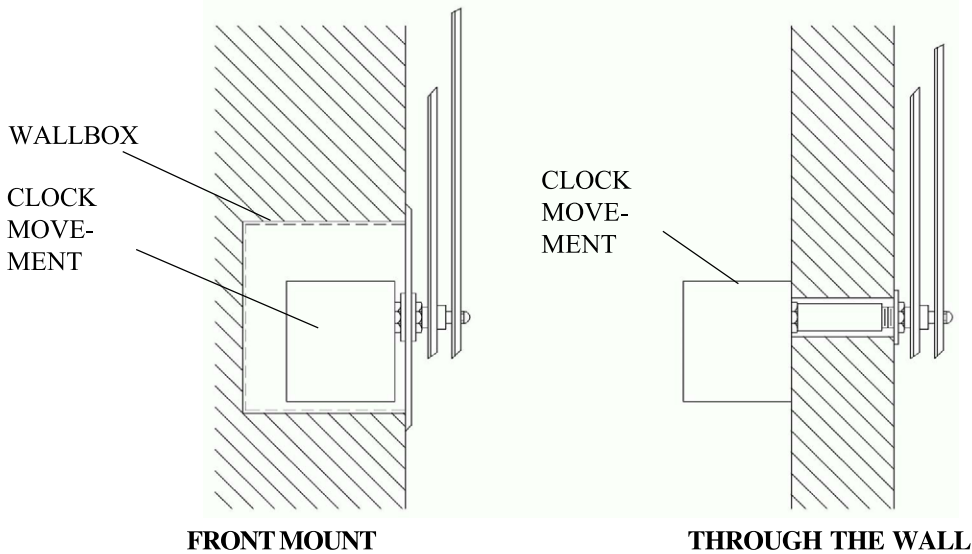


Type 040 - Style R Markers

Features:

- Attractively Designed
- Durable Metal Construction
- Flush with Wall Surface
- Choice of Mechanism
- Custom Markers and Hands Available

Front Mounting



A special wall box is installed flush in the wall at clock center. A conduit entrance is made at the top or the bottom of the box. The size of the box varies, depending upon the clock dial size and movement used. After movement is installed into the wall box, the front cover or face plate conceals the wall box and movement. The cover plate is finished in the same color as the hands and markers, however, the cover plate can be painted the same color of the wall on the job if desired.

120VAC NON-CORRECTIVE CLOCKS

Part No.	Dial Size	Front plate	Wall Box#	Wall Box Dimensions
040-12	12"	7 1/2"	139	4"H x 5 1/2"W x 3 1/4"D
040-15	15"	7 1/2"	139	4"H x 5 1/2"W x 3 1/4"D
040-18	18"	7 1/2"	139	4"H x 5 1/2"W x 3 1/4"D
040-24	24"	7 1/2"	139	4"H x 5 1/2"W x 3 1/4"D
040-30	30"	7 1/2"	139	4"H x 5 1/2"W x 3 1/4"D

120VAC CORRECTIVE CLOCKS*

Part No.	Dial Size	Front plate	Wall Box#	Wall Box Dimensions
040-12EX	12"	7 1/2"	139	4"H X 5 1/2"W X 3 1/4"D
040-15EX	15"	7 1/2"	139	4"H X 5 1/2"W X 3 1/4"D
040-18EX	18"	7 1/2"	139	4"H X 5 1/2"W X 3 1/4"D
040-24EX	24"	7 1/2"	139	4"H X 5 1/2"W X 3 1/4"D

*Add suffix -LL for 24VAC

24VAC ROTARY DRIVE SYNCHRONOUS (RDS) CLOCKS

Part No.	Dial Size	Front plate	Wall Box#	Wall Box Dimensions
040-12RD-2WS-03 or 3WS-00	12"	7 1/2"	139	4"H x 5 1/2"W x 3 1/4"D
040-15RD-2WS-03 or 3WS-00	15"	7 1/2"	139	4"H x 5 1/2"W x 3 1/4"D
040-18RD-2WS-03 or 3WS-00	18"	7 1/2"	139	4"H x 5 1/2"W x 3 1/4"D
040-24RD-2WS-03 or 3WS-00	24"	7 1/2"	139	4"H x 5 1/2"W x 3 1/4"D

For larger dial sizes or through wall applications, see our outdoor clock catalog.